

# General Purpose Jacks - Plain Ram, Double Acting, Oil Return

Capacity 10 - 2000 ton / Stroke 150 mm / Max. Working Pressure 700 bar



ODP Series



ODPS Series



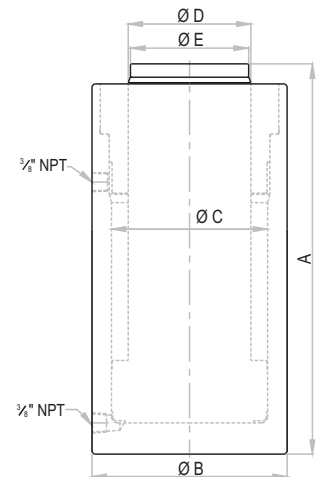
### Features / Application

- Suits most of the general lifting and push-pull applications
- Spherical saddle for 500t and above; optional for lower capacities
- Safety relief valve in return port, in case of accidental over-pressurization due to blockage in return line
- Multipurpose application, Concrete pile testing, box pushing, ship lifting and hydraulic presses

#### Plain Saddle



#### Spherical Saddle



**ODP Series** - **O** Orione **D** Double acting Oil return **P** Plain ram **10** Capacity - ton **150** Stroke - mm

**ODPS Series** - **S** Spherical saddle (Tilting angle 5° Max.)

Capacity (ton)	Capacity (kN)	Stroke (mm)	Model with Plain saddle	Model with Spherical saddle	Effective area (cm <sup>2</sup> )	Oil cap. (cc)	Closed height (Plain saddle) A (mm)	Closed height (Spherical saddle) A (mm)	Cylinder OD B (mm)	Bore dia. C (mm)	Ram dia. D (mm)	Plain saddle dia. E (mm)	Spherical saddle dia. E (mm)	Wt. (Approx.) (Plain saddle) (kg)	Wt. (Approx.) (Sph. saddle) (kg)
10	111	150	ODP 10-150	ODPS 10-150	15.9	239	275	285	75	45	30	28	35	8	8.2
15	167	150	ODP 15-150	ODPS 15-150	23.8	356	280	290	85	55	40	38	35	10.5	10.7
20	218	150	ODP 20-150	ODPS 20-150	31.2	468	285	300	95	63	50	48	48	14.2	14.5
25	270	150	ODP 25-150	ODPS 25-150	38.5	577	295	310	95	70	55	53	48	14	14.3
30	309	150	ODP 30-150	ODPS 30-150	44.2	663	305	320	100	75	55	53	55	16	16.5
50	550	150	ODP 50-150	ODPS 50-150	78.5	1178	305	320	130	100	70	67	74	26	27
75	792	150	ODP 75-150	ODPS 75-150	113.1	1696	305	330	155	120	90	87	88	36.5	37.5
100	1077	150	ODP 100-150	ODPS 100-150	153.9	2309	310	330	180	140	110	106	100	52.5	54
150	1589	150	ODP 150-150	ODPS 150-150	227.0	3405	320	345	220	170	140	137	130	85	87
200	2199	150	ODP 200-150	ODPS 200-150	314.2	4712	345	370	255	200	150	146	150	116	119.5
250	2661	150	ODP 250-150	ODPS 250-150	380.1	5702	350	385	280	220	180	177	165	148	153
300	3167	150	ODP 300-150	ODPS 300-150	452.4	6786	365	400	310	240	180	177	180	181	190
400	4008	150	ODP 400-150	ODPS 400-150	572.6	8588	385	425	350	270	220	216	212	254	265
500	4948	150	-	ODPS 500-150	706.9	10603	-	450	400	300	240	-	230	-	365
600	5987	150	-	ODPS 600-150	855.3	12829	-	480	430	330	270	-	260	-	453
800	7939	150	-	ODPS 800-150	1134.1	17012	-	515	505	380	300	-	290	-	654
1000	9930	150	-	ODPS 1000-150	1418.6	21279	-	560	560	425	350	-	330	-	892
1500	15154	150	-	ODPS 1500-150	2164.8	32472	-	620	705	525	420	-	400	-	1540
2000	20458	150	-	ODPS 2000-150	2922.5	43837	-	705	810	610	525	-	495	-	2348

■ Higher capacity and customized solutions on request. ■ Specifications are subject to change due to continual improvement.

■ Capacity and Stroke specified are maximum safe limits. As safe practice, use at 80% of rating.

### CUSTOMISED SOLUTIONS

